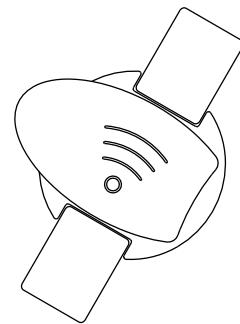
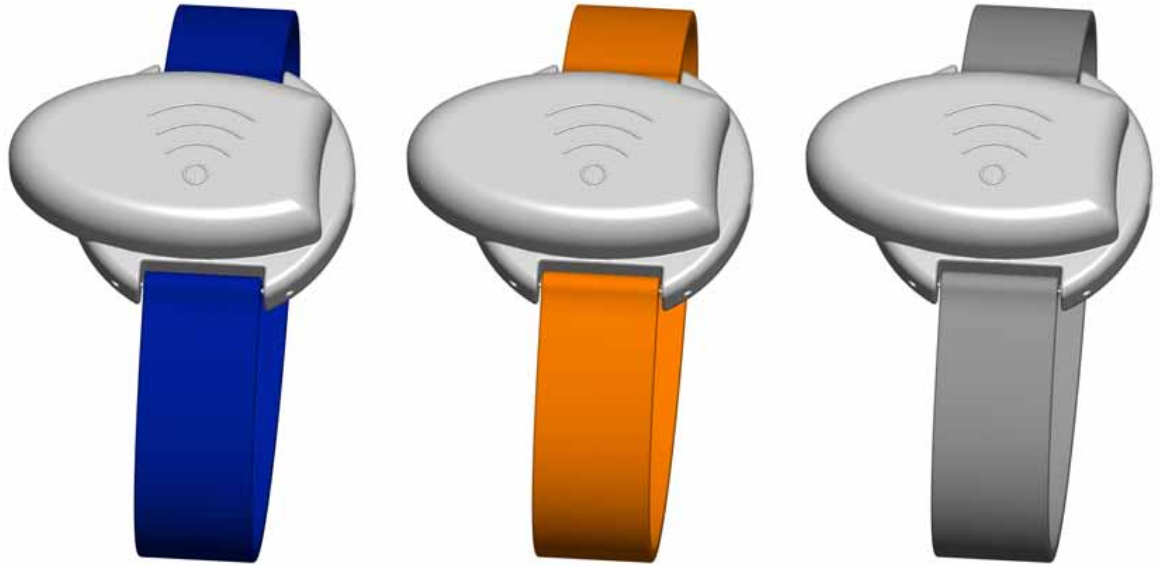


Epi-Care[®] free

Surveillance of epileptic seizures 24/7





Epi-Care free epilepsy alarm

With Epi-Care free severe epileptic seizures are not overseen. Bringing new wireless technology into the caretaking of ill and disabled persons, the Epi-Care free provides a second to none safety for persons suffering from epilepsy. Not only during sleep, but at any time of the day the Epi-Care free alerts care takers in case the user becomes a tonic/clonic seizure, also known as a grand mal seizure.

The Epi-Care free provides freedom for as well persons suffering from severe epilepsy as relatives and care takers. You are safe with Epi-Care free even when you are alone.

The Epi-Care free is suitable as well during sleep as in day hours.

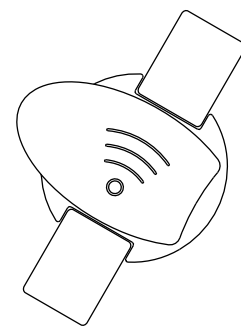
The sensor



The Epi-Care free sensor is carried in an armband around the wrist as a watch. The sensor makes ongoing and very precise measurements of any movement in the wrist and is able to recognise the difference between epileptic and natural movements. The sensor is by 2-way wireless connection in contact with the Epi-Care control unit. When a seizure with motor activity occurs, the sensor signals to the Epi-Care control unit.

The range between the sensor and the control unit is approx 20 meters. This means that the user is safe independent of whether he is a sleep in the bedroom, is sitting in a living room or busy in the kitchen.

The sensor is powered by a small battery, which needs recharging once every 24 hours. The charging time is approx 1 hour 15 minutes.



The Epi-Care control unit



The control unit is in constant contact with the sensor and reacts in case of alarm calls. It also reacts if the sensor battery needs charging or the sensor becomes out of reach. Alarm calls are sent to nearby relatives or carepersons via a pager, a GSM sender or if available a care phone or nurse call.

The Epi-Care control unit contains a log function, which keeps record of alarm calls and of any disturbance in the supervision. In this way all events are documented and precise information can be given to the doctor on the development in frequency of seizures.

Safety

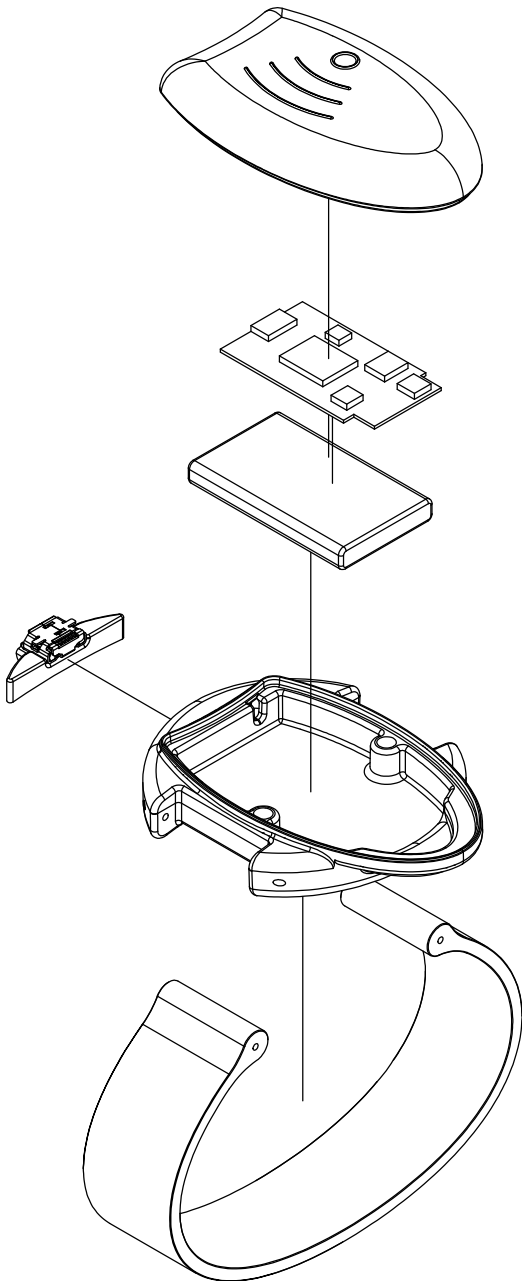
The Epi-Care free has automatic control of whether the system is working as intended. In case the sensor is not charged in due time or has been brought out of reach, the control unit will signal, that the supervision stops. This also applies in case of assembling or technical faults.

Adults and children

The Epi-Care free is developed for use by adults and teenagers. For small children the Epi-Care 3000 seizure alarm is a safe choice. The Epi-Care 3000 measures very exactly convulsions and similar motor activity during sleep by help of a sensor fixed to the mattress. Ask for more information on the Epi-Care 3000.

The Epi-Care free seizure alarm is currently being tested at major Danish and German hospitals.





Technical data

Power supply sensor: Rechargeable li-po battery

Power supply control unit: 12 V, 700 mA medical approved adapter

2- way wireless radio communication between sensor and control unit

Control units 8 pol RJ connector fits pager and call systems

Danish Care Technology ApS

Danish Care Technology ApS developes certified medical devices, with the aim of improving everyday life for the affected and their family.

Danish Care is a specialist when it comes to neuro- and nefrological diseases and is currently able to present the following products:

Epi-Care free 24/7 seizure alarm

Epi-Care 3000 seizure bedalarm

Dia-Care Blood Detection Alarm

**Danish  Care
Technology ApS**

Danish Care Technology ApS

A: Energivej 3,DK-4180 Sorø, Danmark

P: +45 58 50 05 65

@: info@danishcare.dk

W: www.danishcare.dk
